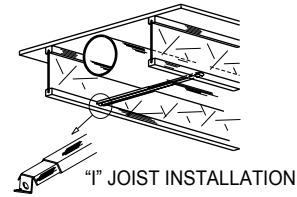
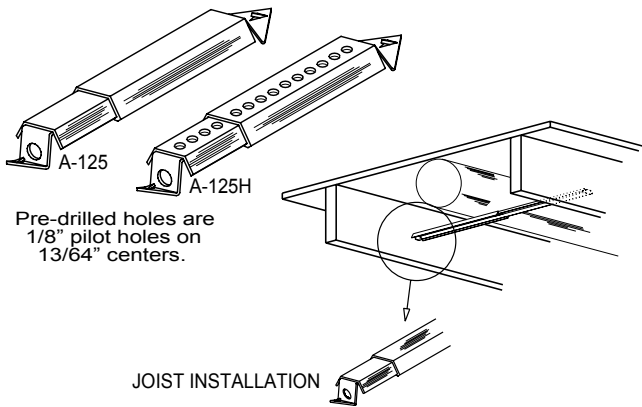
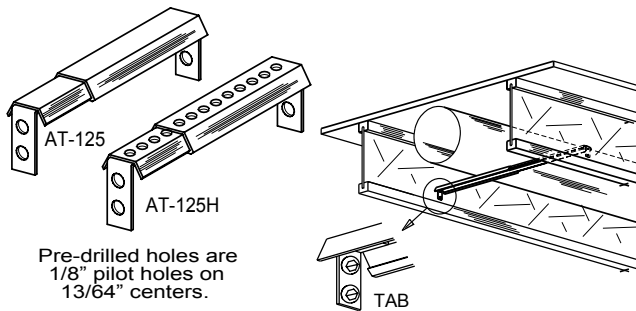


BASSET BRACKET, SELF NAILING



PART NO.	TYPE	LENGTH ADJUST.	MATERIAL	CARTON QUANTITY	WT./CTN. (Lbs.)
A-125	Regular	12" to 19"	Galv.	25	5
A-125H	Regular-Holes	12" to 19"	Galv.	25	5
A-150	Regular	12" to 19"	Galv.	50	10
C-125	Regular	12" to 19"	Cu. Plated	25	5
C-125H	Regular-Holes	12" to 19"	Cu. Plated	25	5
E-125C	Extra Long	19" to 26"	Cu. Plated	25	9
E-125G	Extra Long	19" to 26"	Galv.	25	9

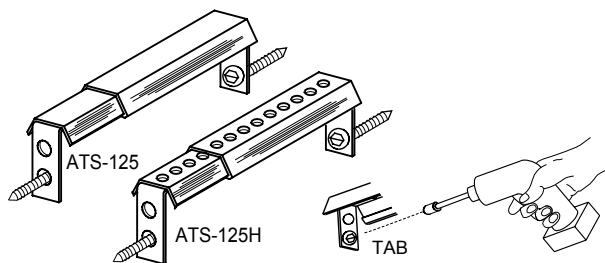
BASSET BRACKET, TAB



For use where a screw tab is preferred to self-nailing.

PART NO.	TYPE	LENGTH ADJUST.	MATERIAL	CARTON QUANTITY	WT./CTN. (Lbs.)
AT-125	Regular	12" to 19"	Galv.	25	5
AT-125H	Regular-Holes	12" to 19"	Galv.	25	5
AT-150	Regular	12" to 19"	Galv.	50	10
CT-125	Regular	12" to 19"	Cu. Plated	25	5
CT-125H	Regular-Holes	12" to 19"	Cu. Plated	25	5
ET-125C	Extra Long	19" to 26"	Cu. Plated	25	8
ET-125G	Extra Long	19" to 26"	Galv.	25	8

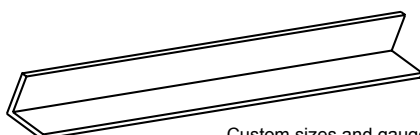
BASSET BRACKET, TAB, W/ PRE-LOADED SCREWS



Tab with pre-loaded model allows for easy installation into center section of "I" joist

PART NO.	TYPE	LENGTH ADJUST.	MATERIAL	CARTON QUANTITY	WT./CTN. (Lbs.)
ATS-125	Regular	12" to 19"	Galv.	25	5
ATS-125H	Regular-Holes	12" to 19"	Galv.	25	5
ATS-150	Regular	12" to 19"	Galv.	50	10
CTS-125	Regular	12" to 19"	Cu. Plated	25	5
CTS-125H	Regular-Holes	12" to 19"	Cu. Plated	25	5
ETS-125C	Extra Long	19" to 26"	Cu. Plated	25	8
ETS-125G	Extra Long	19" to 26"	Galv.	25	8

BRACKET, ANGLE



Custom sizes and gauges available

PART NUMBER	MATERIAL	GAUGE	WIDTH/LENGTH	CARTON QUANTITY	WT./CTN. (Lbs.)
AB-218	Galv. Steel	22	1-1/2" x 1-1/2" x 18"	50	26
AB-222	Galv. Steel	24	1-1/2" x 1-1/2" x 18"	50	22
AB-318	Galv. Steel	24	1" x 3" x 18"	50	29