

# INSTALLATION INSTRUCTIONS

## MODEL# RXRF-ACA1

### MANUAL DAMPER

This manual damper kit can be used in either a vertical or horizontal return airflow application.

#### Vertical Return Airflow Application

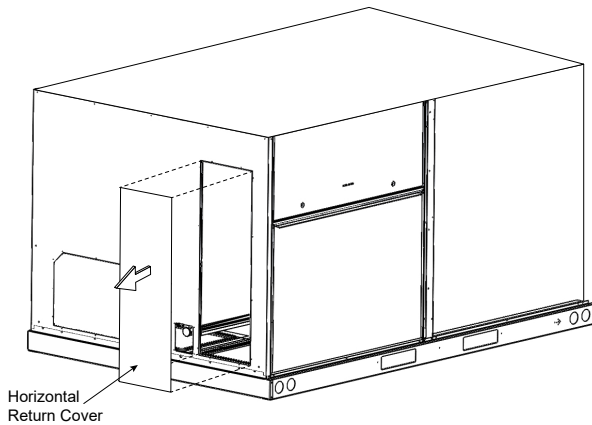
##### STEP 1:

Immediately upon receipt, all cartons and contents should be inspected for transit damage. Units with damaged cartons should be opened immediately. If damage is found, it should be noted on the delivery papers and a damage claim filed with the last carrier. Compare carton(s) contents to the PACKAGE CONTENTS List (**Table 1**) below to note any missing items.

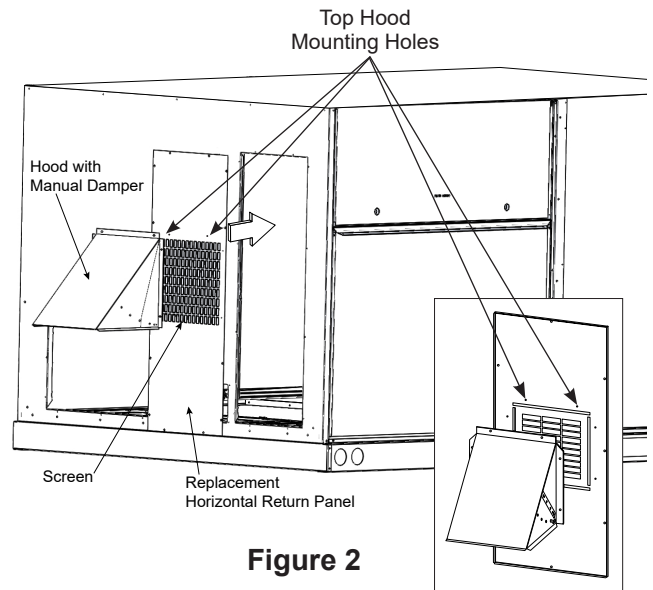
| Table 1 - Package Contents |                                           |     |                         |
|----------------------------|-------------------------------------------|-----|-------------------------|
| ITEM                       | DESCRIPTION                               | QTY | RXRF-ACA1 Manual Damper |
| 1                          | Hood assembly with manual damper          | 1   |                         |
| 2                          | Replacement horizontal return cover panel | 1   |                         |
| 3                          | Hardware bag                              | 1   |                         |

##### STEP 2:

Remove HORIZONTAL RETURN COVER from the unit and discard (**SEE FIGURE 1**). Retain screws..



**Figure 1**



**Figure 2**

##### STEP 3:

Install the REPLACEMENT HORIZONTAL RETURN COVER PANEL onto the unit, **SEE FIGURE 2**. Screw panel in place providing a watertight seal. The hood can only be installed one way. There are 2 holes at the top of the grid pattern that mate to the hood flange.

##### STEP 4:

Caulk the mating flanges on the top backside of the manual hood / damper. Screw the hood to the panel through pre-punched mating holes (**SEE FIGURE 2**).

##### STEP 5:

With the spring loaded latch on the manual damper (inside the hood), set the damper position to allow for desired ventilation. Latch will lock in place through pre-punched holes.

## Horizontal Return Airflow Application

### STEP 1:

Immediately upon receipt, all cartons and contents should be inspected for transit damage. Units with damaged cartons should be opened immediately. If damage is found, it should be noted on the delivery papers and a damage claim filed with the last carrier. Compare carton(s) contents to the PACKAGE CONTENTS List (Table 1) above to note any missing items.

### STEP 2:

Remove HORIZONTAL RETURN COVER PANEL from the unit and discard (SEE FIGURE 1).

### STEP 3:

Manufacture and install field supplied horizontal return duct and attach to unit, per unit instructions. (SEE FIGURE 4)

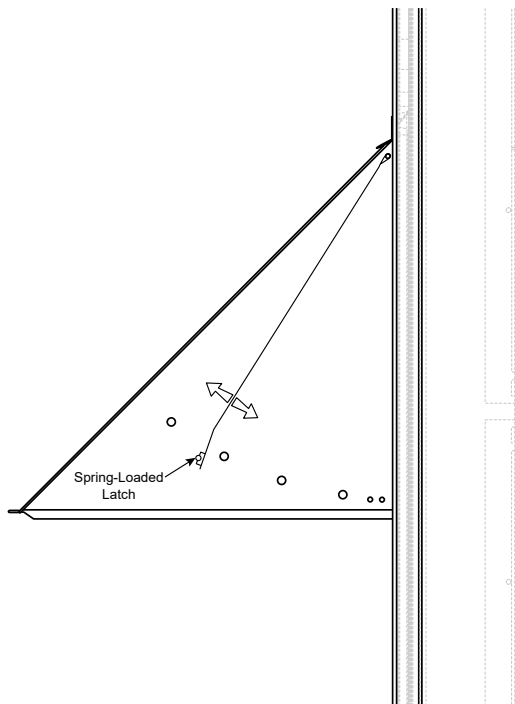


Figure 3

### STEP 4:

Cut 11" x 11" hole in the side of horizontal return duct, SEE FIGURE 4.

### STEP 5:

Clip out the screen off of REPLACEMENT HORIZONTAL RETURN PANEL, SEE FIGURE 5. Install screen over the cutout on to side of horizontal return duct, SEE FIGURE 4. Screw in place.

### STEP 6:

Caulk the mating flanges on the backside of the manual hood / damper. Mount the hood over the screen and screw in place onto horizontal return duct, SEE FIGURE 4.

### STEP 7:

With the spring loaded latch on the manual damper (inside the hood), set the damper position to allow for desired ventilation. Latch will lock in place through pre-punched holes.

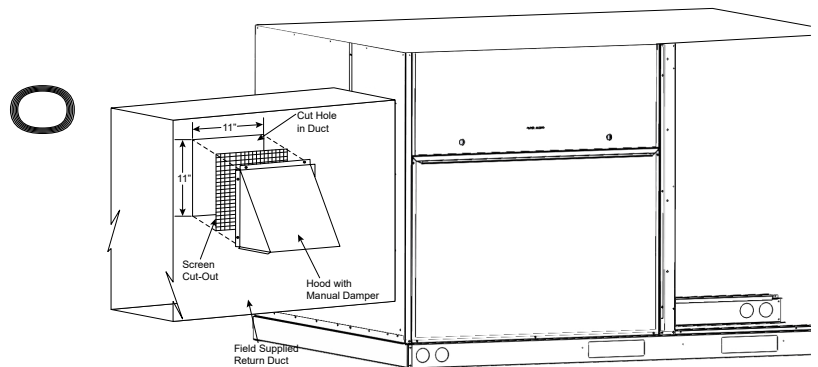


Figure 4

Clip screen out in all (4) corners to use on horizontal return duct application.

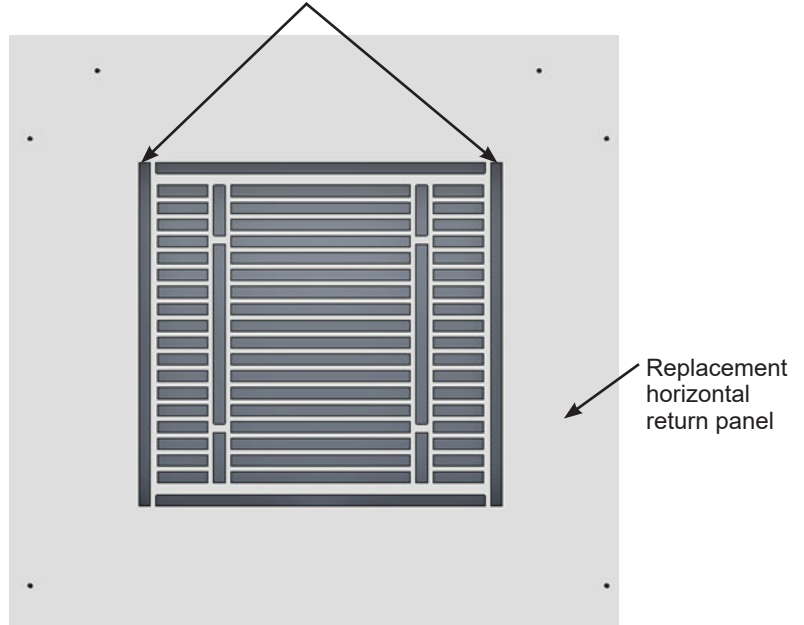


Figure 5