

INSTALLATION INSTRUCTIONS

KIT MODEL: RXXR-BPG1 DISCONNECT SWITCH
FOR UNIT MODELS: 15-25T GEG PACKAGED UNITS

▲ WARNING

▲ Recognize this symbol as an indication of Important Safety Information!

THESE INSTRUCTIONS ARE INTENDED AS AN AID TO QUALIFIED SERVICE PERSONNEL FOR PROPER INSTALLATION, ADJUSTMENT, AND OPERATION OF THIS KIT. READ THESE INSTRUCTIONS THOROUGHLY BEFORE ATTEMPTING INSTALLATION, ADJUSTMENT, OR OPERATION. FAILURE TO FOLLOW THESE INSTRUCTIONS CAN RESULT IN IMPROPER INSTALLATION, ADJUSTMENT, SERVICE, OR MAINTENANCE, AND POSSIBLY RESULT IN FIRE, ELECTRICAL SHOCK, PROPERTY DAMAGE, PERSONAL INJURY, OR DEATH.

PARTS LIST		
PART DESCRIPTION	Part #	Qty
Rotary Disconnect Switch	AS-105846-06	1
Screw (Hex Head) 10-16 x 7/8	63-42109-03	4
Combination Warning Label - Knock-Out Panel	92-2204-91	1

REQUIRED TOOLS/SUPPLIES

- A. 5/16" nut driver
- B. 6 mm Allen or hex key
- C. 3/16" Allen or hex key
- D. #2 Phillips screwdriver
- E. 1/4" tip flat-blade screwdriver
- F. Box Cutter (to open packaging)
- G. Diagonal Cutter (to cut the exterior door's cover plate)
- H. Multimeter (to troubleshoot)

PURPOSE

The purpose of this Disconnect Switch Kit is to provide an easily accessible unit disconnect on the unit itself, rather than having to access the disconnect provided on the job site.



INSTALLATION PROCEDURE FOR KIT:

A. UNIT PREPARATION

1. Verify that the unit is TURNED OFF at the disconnect.
2. Remove the disconnect switch mounting hole cover plate from the compressor access panel and discard.
3. Remove the compressor access panel and set aside. If the unit has a hinged compressor access panel, the panel does not need to be completely removed: all components can be accessed by opening the hinged door.
4. Remove control compartment access panel. If the unit has a hinged compressor access panel, the panel does not need to be completely removed: all components can be accessed by opening the hinged door.

B. INSTALLING THE DISCONNECT SWITCH

1. Turn screws at the top of the disconnect switch box 1.5 turns counter clockwise, so that a 1/4" gap with the screw head is created. **(See Figure 1).**
2. Disconnect and remove the main power wires from the terminal block in the control compartment.
3. Place the disconnect switch box under the control compartment in alignment with the key way holes in the bottom of control compartment. Next, slide the disconnect switch box to the right to secure box in compartment paneling.
4. Tighten the four screws connecting the top of the disconnect switch box to the bottom of the control compartment. Then, rotate the switch to the OFF position.

C. WIRE ROUTING

1. Connect the three black wires coming out of the disconnect switch box to the terminal block: 001 to L1, 002 to L2, 003 to L3, by routing the wires through the opening in the bottom of the control compartment closest to the disconnect switch.
2. Connect the green wire coming out of the disconnect switch box to the ground lug in the control panel, using the same opening in the bottom of the control compartment.
3. Remove the front cover of the disconnect switch. With the power shut-off, route the main power wires through the side of the disconnect box.
4. Secure to the main power wires to L1, L2, and L3 of the rotary switch and close the front cover of the disconnect switch.

D. UNIT AND KIT COMPLETION

1. Place the compressor access panel on the unit and secure it to the disconnect switch box using the four screws provided with this kit. **(See Figure 2).**
2. Secure the rest of the compressor access panel with unit screws, if required.
3. Replace and secure control compartment access panel.
4. Check to confirm there is no Ground Continuity between L1, L2, L3, and the unit chassis.
5. After all the safety checks are completed turn on service power. The unit can now be turned on by rotating the Disconnect Switch to the ON position.
6. If excessive audible sound can be heard from the unit's compressor, rotate the disconnect switch back to the OFF position and shut off service power. Then, swap two of the legs entering the main unit contactor. Repeat steps in Unit and Kit Completion.

Figure 1

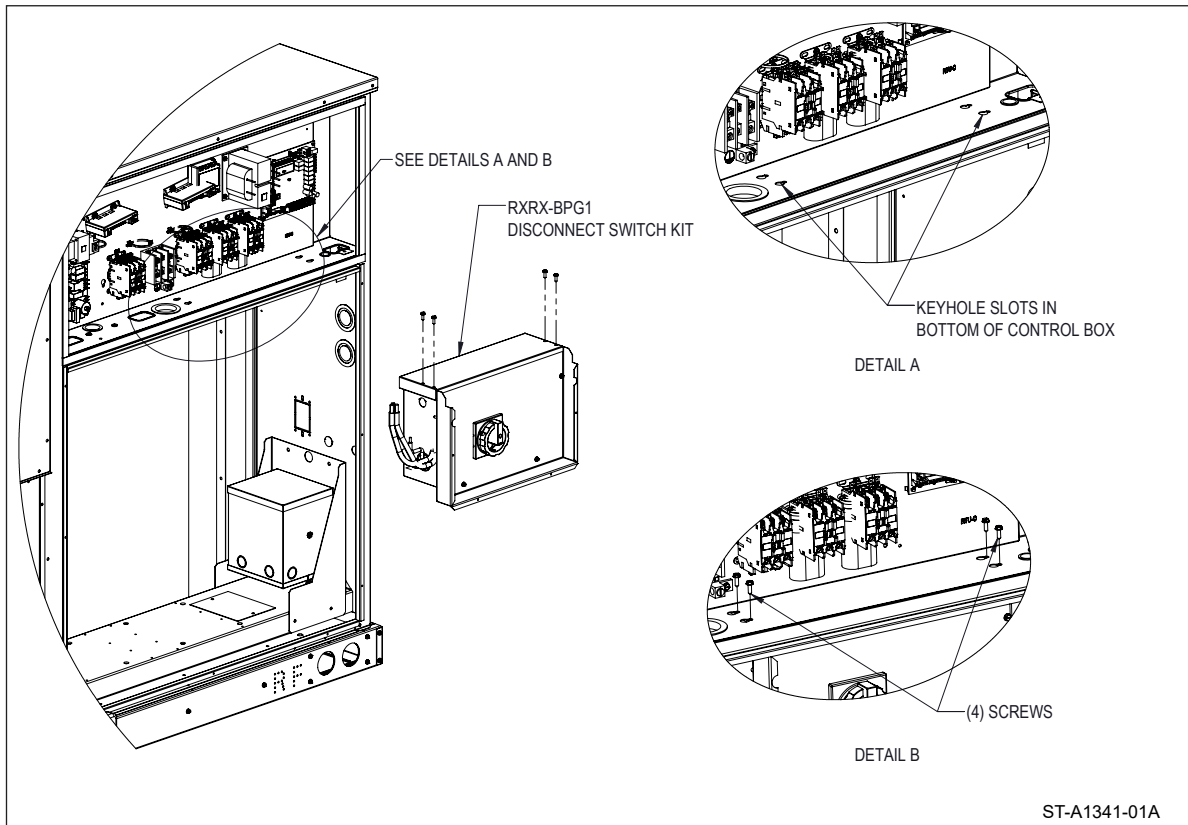


Figure 2

