

# INSTALLATION INSTRUCTIONS

## (-)XRX-ADD04A / 04B / 04C LOUVER PANEL

### GED/ACD/HPD-090/102/120/150

### GEC/ACC/HPC-036/048/060/072



Recognize this symbol as an indication of Important Safety Information!



#### WARNING

THESE INSTRUCTIONS ARE INTENDED AS AN AID TO QUALIFIED SERVICE PERSONNEL FOR PROPER INSTALLATION, ADJUSTMENT, AND OPERATION OF THIS KIT. READ THESE INSTRUCTIONS THOROUGHLY BEFORE ATTEMPTING INSTALLATION, ADJUSTMENT, OR OPERATION. FAILURE TO FOLLOW THESE INSTRUCTIONS CAN RESULT IN IMPROPER INSTALLATION, ADJUSTMENT, SERVICE OR MAINTENANCE, POSSIBLY RESULTING IN FIRE, ELECTRICAL SHOCK, PROPERTY DAMAGE, PERSONAL INJURY, OR DEATH.



#### WARNING

BEFORE BEGINNING ANY MODIFICATION, BE SURE MAIN DISCONNECT SWITCH IS IN THE "OFF" POSITION. FAILURE TO DO SO CAN CAUSE ELECTRICAL SHOCK RESULTING IN PROPERTY DAMAGE, PERSONAL INJURY OR DEATH. TAG DISCONNECT WITH A SUITABLE WARNING LABEL.

#### PARTS LIST

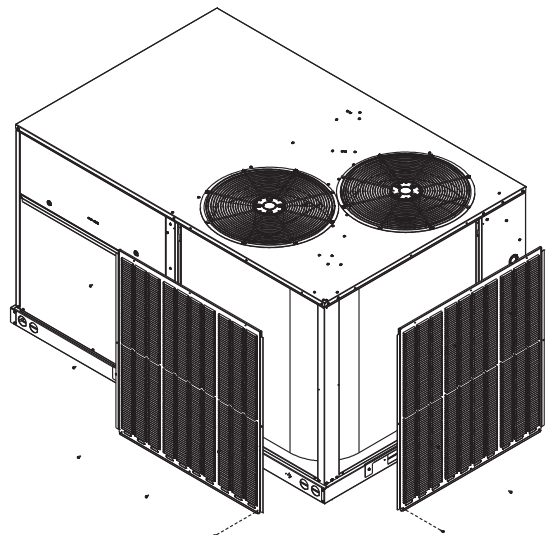
DESCRIPTION	QTY
Louver Panel Assembly	2
Mounting Screws	16

#### TOOLS/SUPPLIES REQUIRED

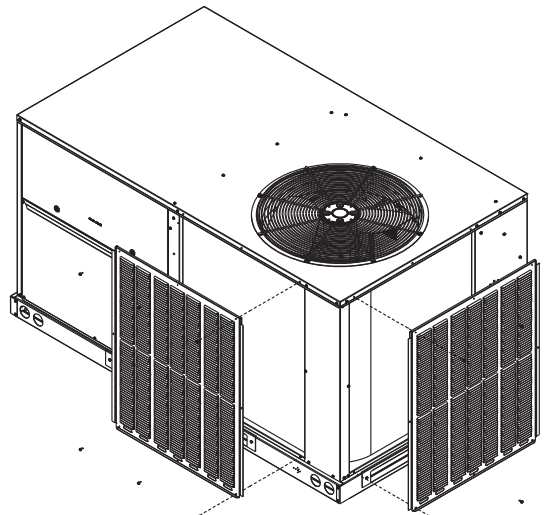
- A. 5/16" nut driver.
- B. Box Cutter (to open packaging).
- C. Scratch Awl.

#### LOUVER PANEL INSTALLATION PROCEDURE

- A. Remove louver panels from box.
- B. Install the louver panels on the unit. Insert a couple of screws to temporarily retain them.
- C. Insert the remaining screws and secure panel per the illustration.



ST-A1276-01-00



ST-A1290-01-00