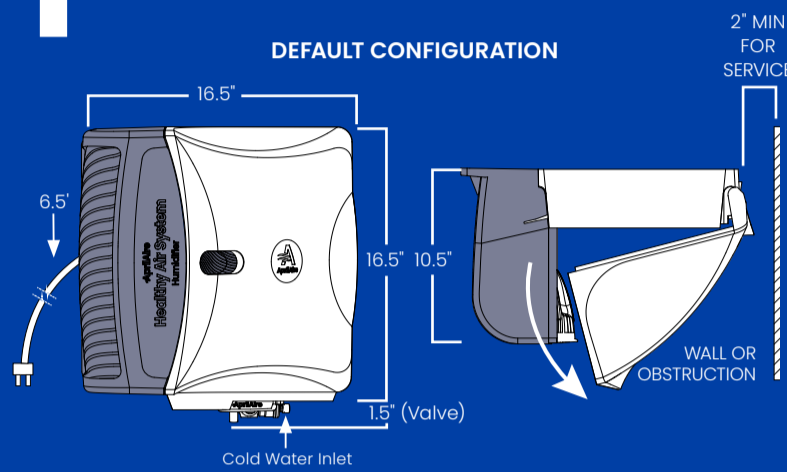


SCAN TO LEARN MORE

AprilAire

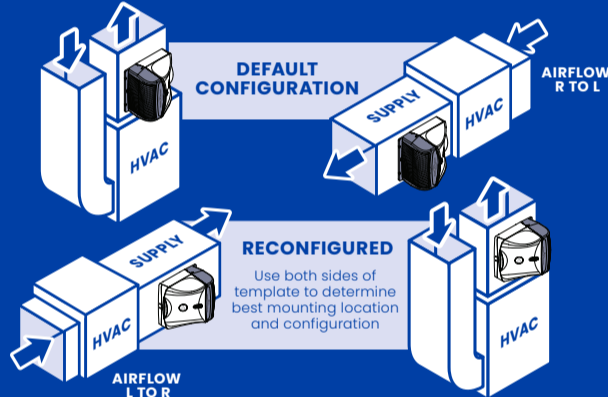
SERIES 720  
Fan-Powered Evaporative Humidifier

1 DETERMINE LOCATION AND CONFIGURATION



Reconfigure if nearby obstructions interfere with cover removal/service or if air flows from left to right (horizontal applications).

SUPPLY (RECOMMENDED)



This humidifier can be installed on either the supply or return plenum. **Supply is recommended** for peak performance. Capacity rating is significantly reduced on the return plenum. **Humidifier dimensions and accessibility** must be considered when selecting location.

**Note:** Do not install on systems with static pressure greater than 0.8" w.c.

WARNING / AVERTISSEMENT

**ATTENTION INSTALLER:** Improper installation or maintenance may cause property damage or injury. Disconnect electrical power and water before starting installation or service.

**ELECTRIC SHOCK HAZARD:** 120 volts may cause serious injury from electric shock.

**RISK OF SCALDING:** Water temperature over 125°F can cause severe burns and scald instantly.

**ATTENTION INSTALLATEUR:** Une installation ou un entretien inadéquat(e) peut entraîner des dommages matériels ou corporels. Débranchez l'alimentation électrique et coupez l'eau avant de procéder à l'intervention.

**RISQUE DE CHOC ÉLECTRIQUE:** Une tension de 120 volts peut provoquer des blessures graves par électrocution.

**RISQUE DE BRULURES:** Une température d'eau supérieure à 52°C (125°F) peut provoquer de graves brûlures et ébouillanter instantanément.

CAUTION / MISE EN GARDE

**SUDDEN OPERATION MAY CAUSE PERSONAL INJURY OR PROPERTY DAMAGE** Turn the humidifier control to OFF or lowest setting before servicing.

**SHARP EDGES MAY CAUSE INJURY FROM CUTS.** Gloves and safety glasses recommended.

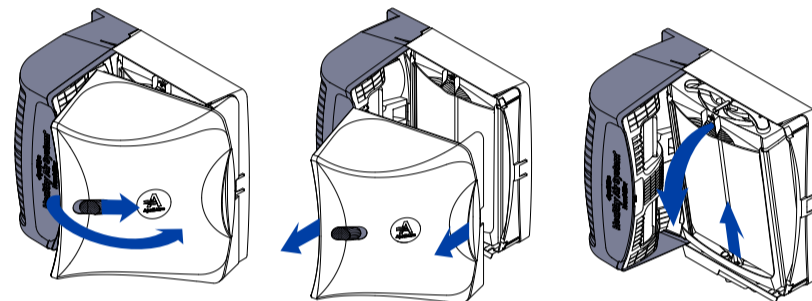
**UNE MISE EN MARCHÉ SOUDAIN PEUT ENTRAÎNER DES BLESSURES OU DES DOMMAGES MATÉRIELS.** Mettez la commande de l'humidificateur sur OFF ou sur le réglage le plus bas avant toute intervention.

**LES BORDS ACERES PEUVENT CAUSER DES COUPURES GRAVES.** Portez toujours des lunettes ou des lunettes de sécurité et des gants durant l'installation de l'unité.

2 VERIFY CONTENTS AND PREPARE UNIT FOR INSTALLATION

- What's in the box?**
- Model 720 Humidifier
  - Humidifier Control
  - Model L HydroCore™
  - Installation Template
  - 24 VAC 10 VA Transformer
  - Saddle Valve
  - Installation Kit (720AKZ, 720MKZ only)

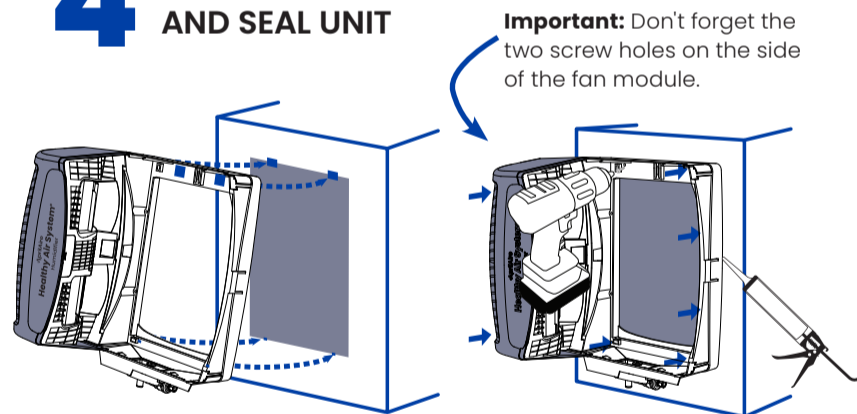
TOOLS NEEDED



- a. Slide latch to release cover and rotate away from fan.
- b. Remove cover and set aside.
- c. Tilt HydroCore forward. Remove then set aside.

**Note:** Need to reconfigure the fan module for your application? **Flip this template over to continue.**

4 MOUNT, SECURE, AND SEAL UNIT



- a. Angle top of base toward the duct opening and engage hooks.
- b. Hinge the humidifier toward the opening and slide down to engage bottom hooks.
- c. Secure unit with eight (8) #8-3/4" flanged hex head screws.
- d. Seal the edges with caulk to prevent air leaks.

6 CONNECT WATER SUPPLY AND DRAIN LINE

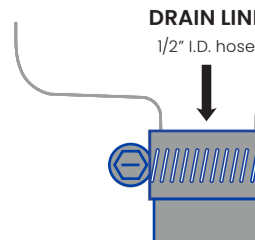
- a. Install a 1/4" O.D. copper water supply line. Purge water line before connecting to valve inlet using included 1-piece compression fitting. See below for details.
- b. Install 1/2" I.D. drain hose and secure with a hose clamp. Route to a floor drain or condensate pump. **Ensure constant downward slope.**

WATER CONDITIONS

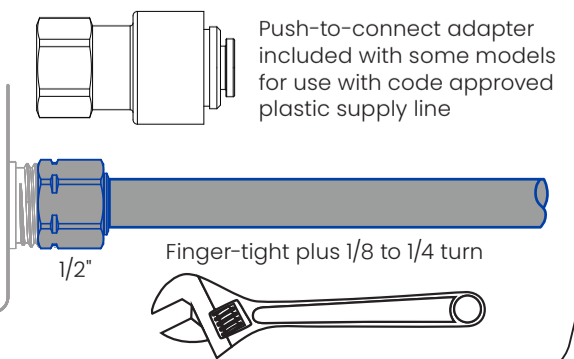
- Ensure connections are water tight and adhere to local codes.
- Pressure: 30-120 psi
- **Best Practice: Connect to soft water. Humidifier is effective with hot or cold. Installations on hard water will require more frequent maintenance. A scale-reducing inline water filter is recommended to lessen the effects of hard water.**
- Hot water recommended for return mounted installations.



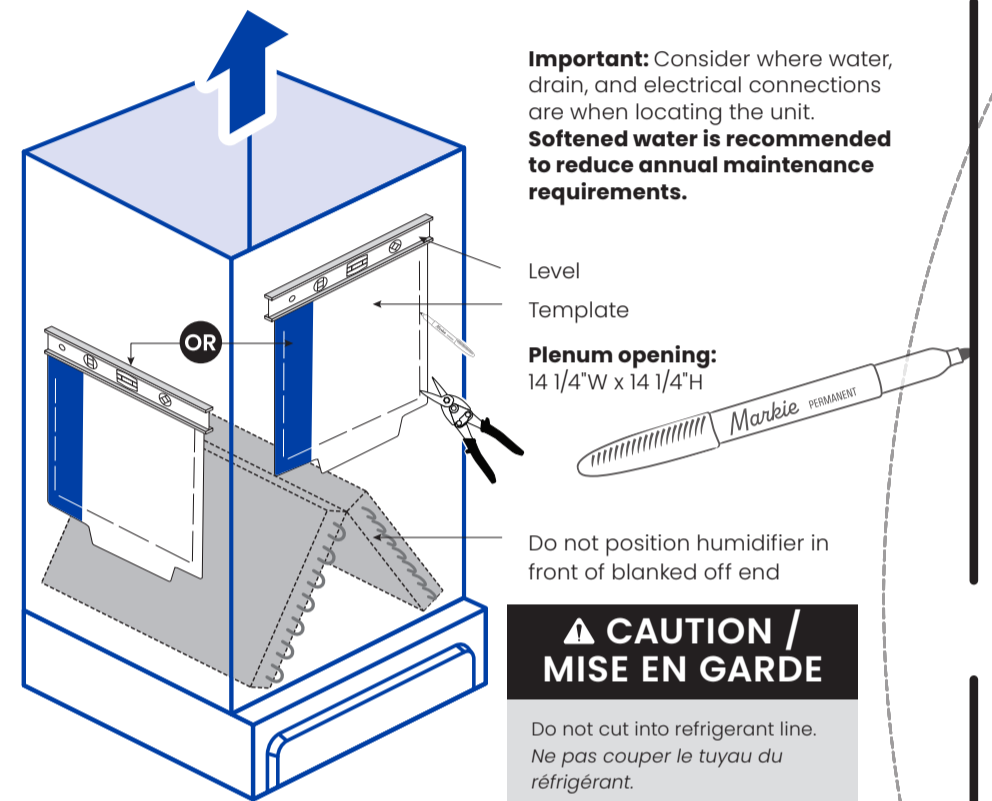
Annual maintenance of your humidifier will prevent buildup of minerals left behind during evaporation. **Scan the QR code at the top of this template to learn more.**



**Clear, flexible drain tube is recommended.** If using hard pipe, 6" minimum of flexible tube is required between the humidifier and pipe for drain cleaning access.



3 DETERMINE LOCATION ON DUCT, THEN LEVEL, MARK, AND CUT



CUT ALONG CENTER OF MARKS

HAND ACCESS

Keep 2" of clearance from obstructions to access handle.

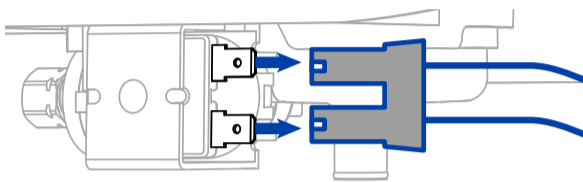
#8 x 3/4" min.  
Flanged Hex Head Screw

# FAN RECONFIGURATION

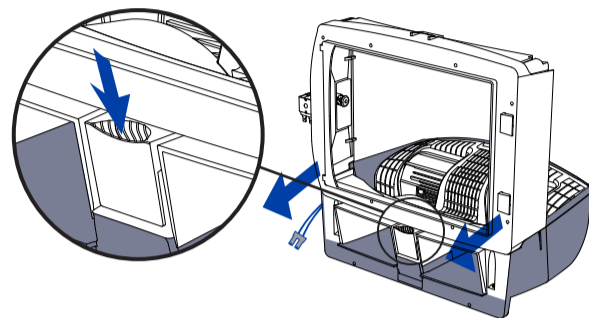
**Note:** Applicable for left to right horizontal airflow systems and improved accessibility in vertical applications.  
**Turn template over and see step 1 for details.**

## 2 CONTINUED

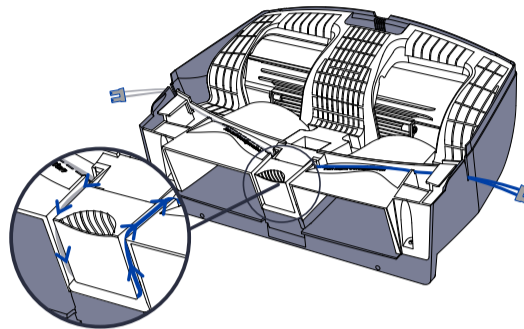
**d.** Disconnect wire leads on solenoid valve



**e.** Detach base from fan module by activating the lever while sliding base away

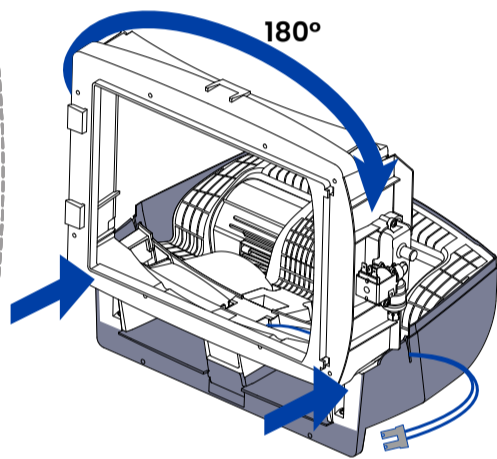


**f.** Re-route wires to the other side of the fan module and press into groove

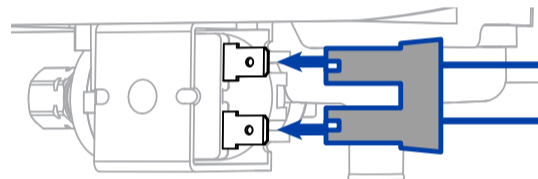


**Note:** Ensure wires are fully seated in groove to prevent wire pinching.

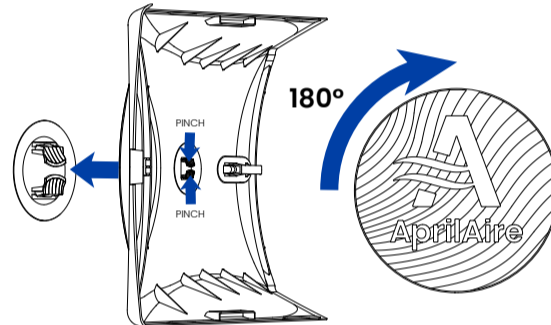
**g.** Rotate base 180° and slide back onto fan module



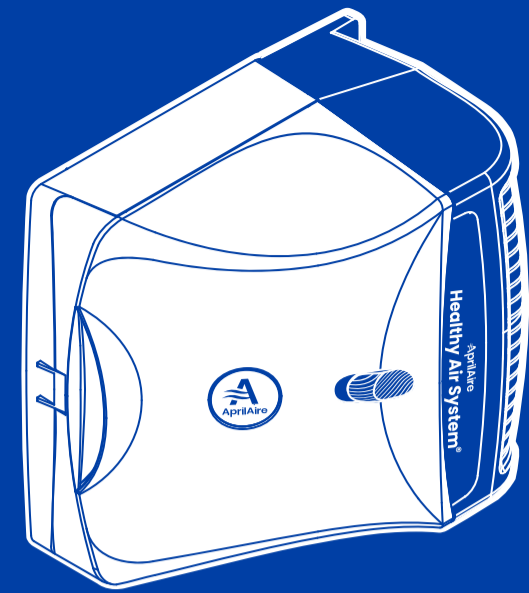
**h.** Reconnect wire leads to valve



**i.** Remove badge by pressing textured tabs to release. Rotate 180° and reattach to cover



Flip this template over and continue at **STEP 3** on the front.

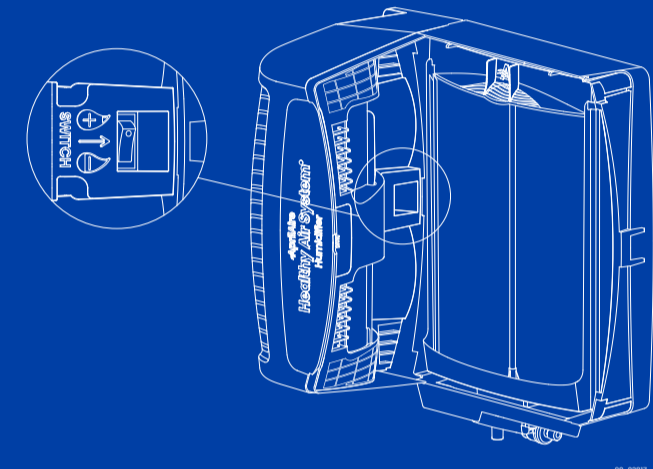


### HUMIDIFIER FAN SPEED SWITCH

**HIGH (+):** Maximum capacity (default)

**LOW (-):** Quietest operation (approx. 10% capacity reduction)

Installations requiring reduced sound levels can utilize a low fan speed by adjusting the switch from high to low.



### INSTALLATION AND TEST CHECKLIST

- ALL PLUMBING CONNECTIONS ARE WATERTIGHT.
- HUMIDIFIER IS PLUGGED INTO 120 VAC OUTLET.
- SOLENOID VALVE IS CONNECTED TO 24 VAC.
- HUMIDIFIER FUNCTIONS PROPERLY: FAN TURNS ON, SOLENOID VALVE OPENS, WATER FLOWS DOWN DRAIN (APPROX. 5 MINS).



For questions, contact Aprilaire Technical Support

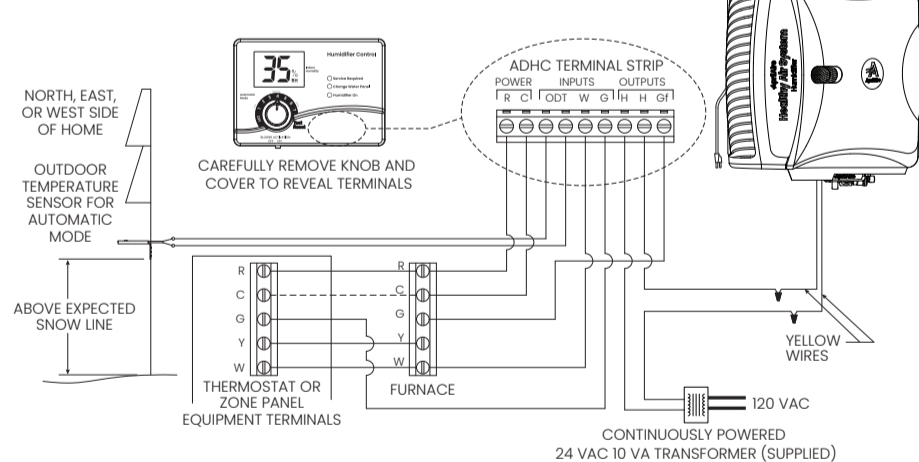
**800.334.6011** or [aprilair.com](http://aprilair.com)

10020113A • 07.24  
© 2024 Aprilaire | [aprilair.com](http://aprilair.com) | 800.334.6011  
Aprilaire reserves the right to change specifications without notice.

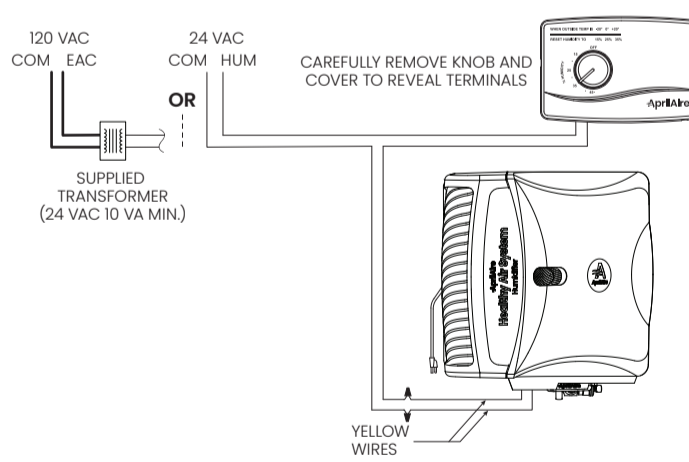
## UNIT WIRING

**Note:** Refer to the included control installation instructions for full mounting and setup instructions.  
**Solenoid requires 24 VAC to operate.** Refer to furnace manufacturer's guidelines if using accessory terminals.

### MODEL 60 AUTOMATIC DIGITAL HUMIDIFIER CONTROL (INCLUDED WITH 720A)

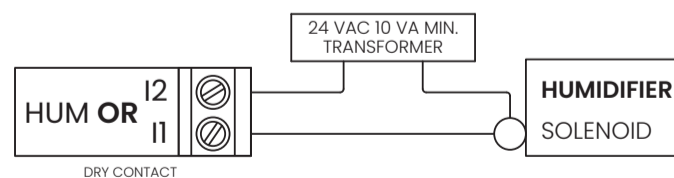


### MODEL 4655 MANUAL HUMIDIFIER CONTROL (INCLUDED WITH 720M)



### APRILAIRE IAQ THERMOSTAT (NOT INCLUDED)

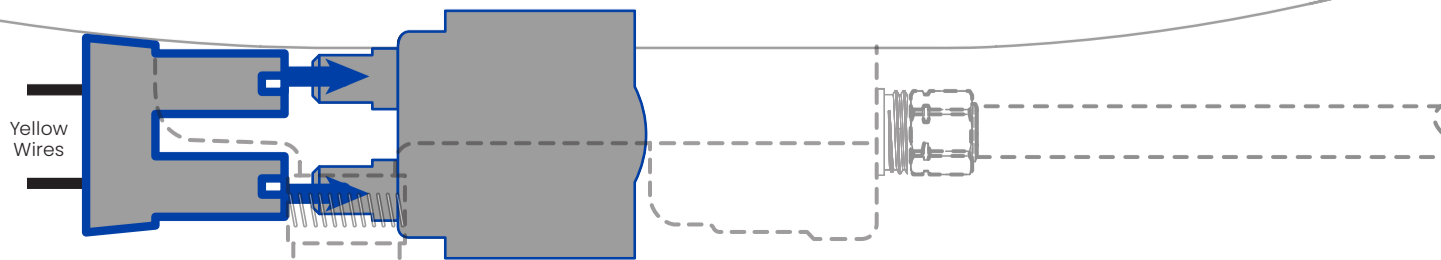
**Note:** Refer to the thermostat installation instructions for model-specific wiring and setup directions.



**REMEMBER:** Plug power cord (located on fan module) into 120 VAC outlet.

**SOLENOID WIRE:** Unit requires 24 VAC 10 VA min. to operate (not a dry contact).

**Note:** Solenoid valve connection is behind valve cup.



CUT ALONG  
CENTER OF MARKS

HAND ACCESS

Keep 2" of clearance from obstructions to access handle.

Aprilaire

FAN RIGHT

INSTALLATION TEMPLATE